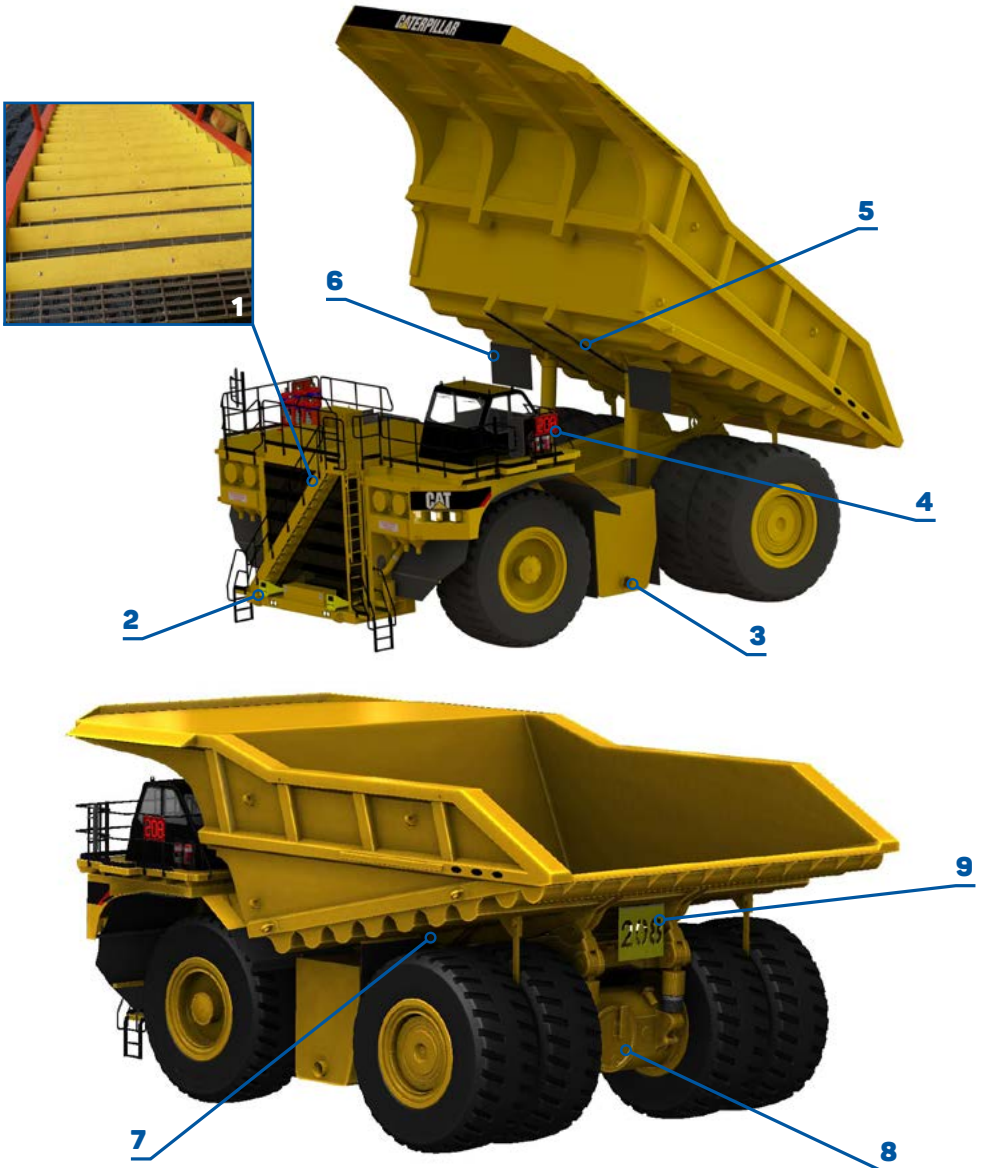


NATIONAL
PLASTICS & RUBBER



TRUCK PRODUCTS

CATERPILLAR



1 - STEP NOSING KIT

Part No.	SUIT 777 - NPR1868 SUIT 793 - NPR1509 SUIT 797F - NPR1511
Details	SEE PAGE 7

6 - FLEXIFLAP™ MUDFLAP

Part No.	SUIT 789C - NPR1803 SUIT 793D - NPR1804 SUIT 793F - NPR1723 SUIT 795F - NPR1824
----------	--

2 - WHEEL CHOCKS & BRACKETS

Visit our website to see our full range of Wheel Chocks & Brackets or contact us for information.

7 - TRAY SUPPORT BLOCKS

Part No.	SUIT 793 - NPR05233-00
Details	SEE PAGE 9

3 - SOUND SUPPRESSION MAT (DIFF)

Part No.	SUIT 793D - NPR1986
----------	---------------------

8 - LOUVERED VENT

Part No.	SUIT 795 - NPR2395
Details	SEE PAGE 10

4 - LED OR REFLECTIVE ID NUMBERS

Part No.	CONTACT US
----------	------------

9 - HANGING ID NUMBERS

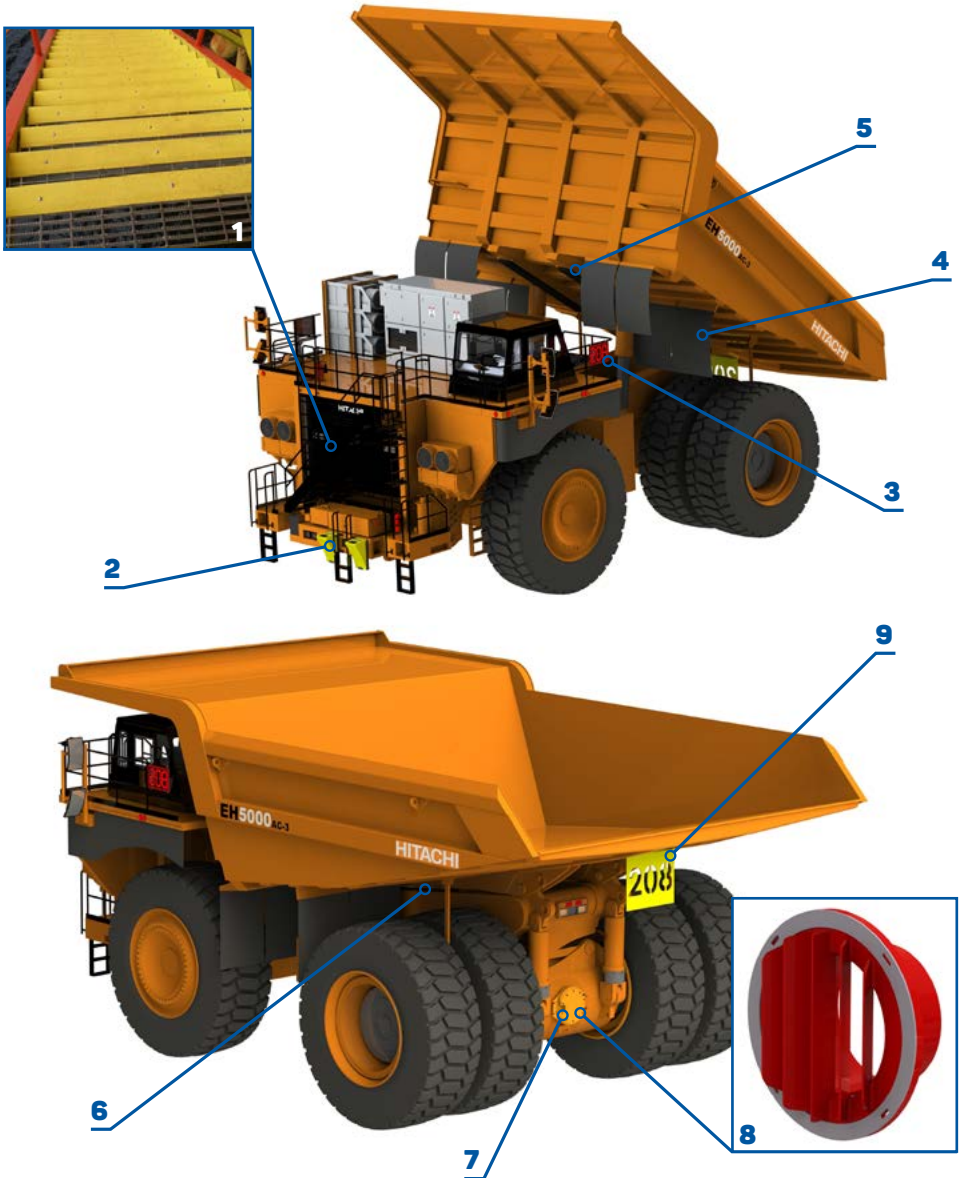
Part No.	SUIT ALL TRUCKS - NPR816
----------	--------------------------

5 - BODY PADS

Available to suit 797, 793 & 789.

Part No.	CONTACT US
Details	SEE PAGE 8

HITACHI



1 - STEP NOSING KIT

Part No.	CONTACT US
Details	SEE PAGE 7

6 - TRAY SUPPORT BLOCKS

Part No.	CONTACT US
Details	SEE PAGE 9

2 - WHEEL CHOCKS & BRACKETS

Visit our website to see our full range of Wheel Chocks & Brackets or contact us for information.

7 - AXLE DOOR IMPACT PAD

Part No.	SUIT EH5000 - NPR2397 SUIT EH4500 - NPR2397
Details	SEE PAGE 13

3 - LED OR REFLECTIVE ID NUMBERS

Part No.	CONTACT US
----------	----------------------------

8 - LOUVERED VENT

Part No.	SUIT EH5000 - NPR2077
Details	SEE PAGE 10

4 - FLEXIFLAP™ MUDFLAP

Part No.	CONTACT US
----------	----------------------------

9 - HANGING ID NUMBERS

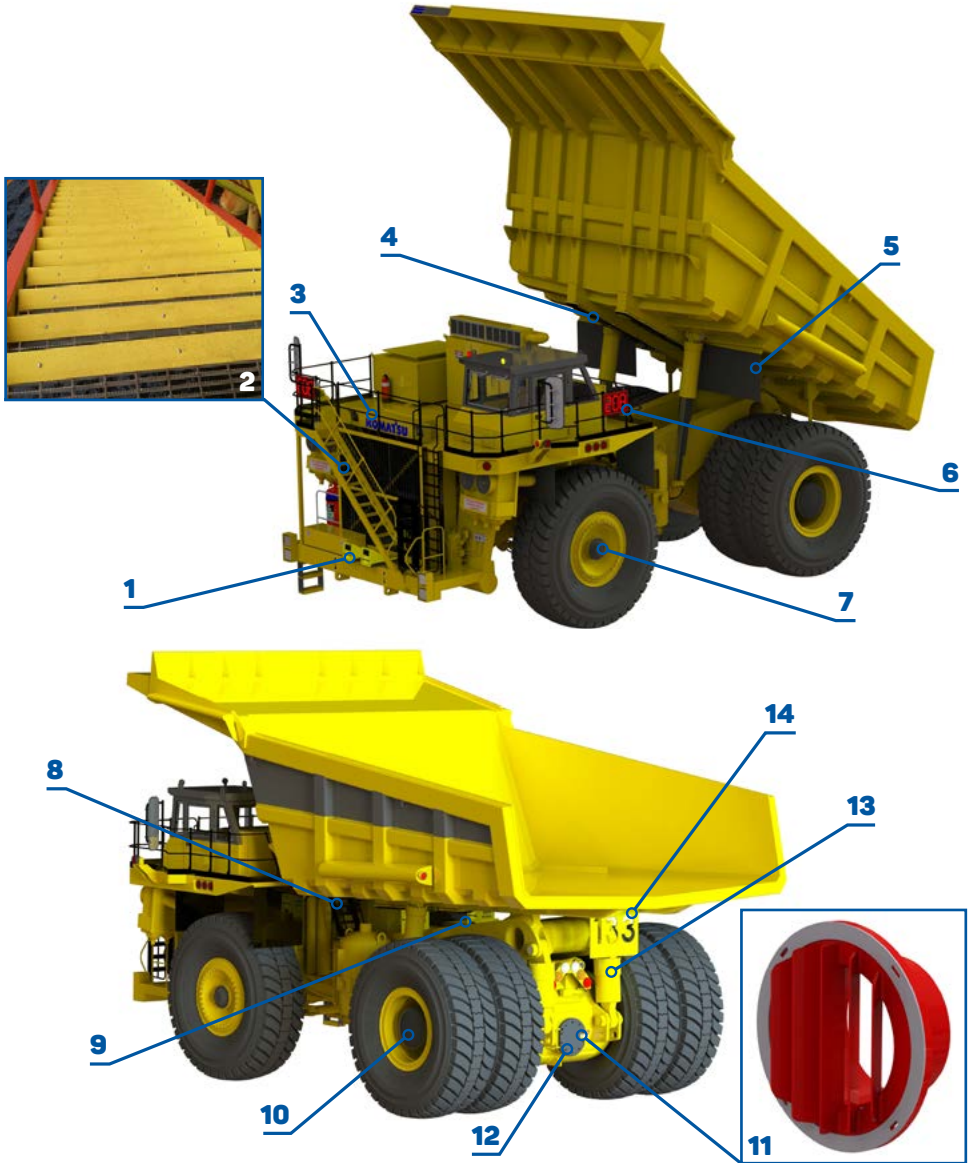
Part No.	SUIT ALL TRUCKS - NPR816
----------	--

5 - BODY PADS

Available to suit EH4500 & EH4501.

Part No.	CONTACT US
Details	SEE PAGE 8

KOMATSU



1 - WHEEL CHOCKS & BRACKETS

Visit our website to see our full range of Wheel Chocks & Brackets or contact us for information.

2 - STEP NOSING KIT

Part No.	CONTACT US
Details	SEE PAGE 7

3 - BATTERY BOX

Part No.	SUIT 830 - NPR1874 SUIT 930 - NPR2557
----------	--

4 - BODY PADS

Part No.	CONTACT US
Details	SEE PAGE 8

5 - FLEXIFLAP™ MUDFLAP

Available to suit 830E & 960E. Contact us for information.

6 - LED OR REFLECTIVE ID NUMBERS

Part No.	CONTACT US
----------	----------------------------

7 - MATTCAP

Part No.	SUIT 830 - NPR06035-00
Details	SEE PAGE 11

8 - CABLE CLAMP SPLIT BLOCK

Part No.	CONTACT US
Details	SEE PAGE 12

9 - TRAY SUPPORT BLOCKS

Part No.	SUIT 830 - NPR05233-00 SUIT 930 - NPR05233-00
Details	SEE PAGE 9

10 - WHEEL DUST COVER

Part No.	CONTACT US
----------	----------------------------

11 - LOUVERED VENT

Part No.	SUIT 930E - NPR2077
Details	SEE PAGE 10

12 - AXLE DOOR IMPACT PAD

INTERNAL LOCATION PAD	
Part No.	SUIT 830E - NPR2227
Details	SEE PAGE 13

DOOR COVER IMPACT PAD	
Part No.	SUIT 830E - NPR2227
Details	SEE PAGE 13

13 - HYDRAULIC RAM COVER

Part No.	SUIT 930E - NPR2310
----------	-------------------------------------

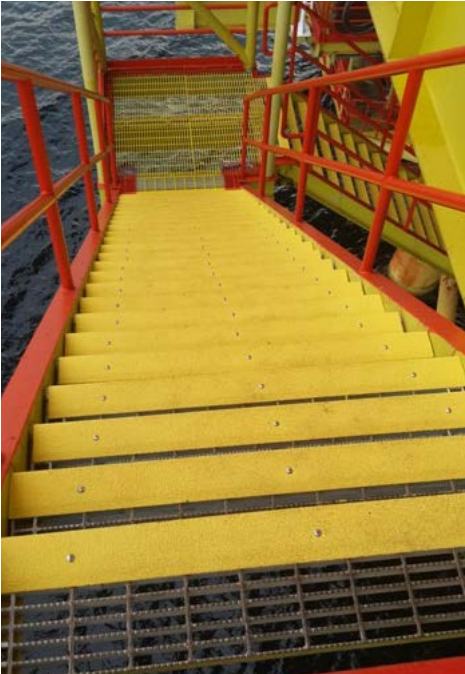
14 - HANGING ID NUMBER

Part No.	SUIT ALL TRUCKS - NPR816
----------	--

SLIP RESISTANT STEP NOSING

National Plastics & Rubber can supply heavy duty, slip resistant step nosing for applications ranging from the office, to airports, mine sites and offshore oil rigs.

- » **HEAVY DUTY COARSE GRAIN FOR MAXIMUM GRIP**
- » **KITS CAN BE MADE FOR ANY MACHINE OR APPLICATION**



Standard nosing is made using 1.6mm galvanized steel, 50mm tread and a 20mm rise. Nosing comes pre-drilled and supplied with fasteners. Other options are available on request.

- » **PRE-DRILLED & SUPPLIED WITH FASTENERS**



BODY PADS

- » HIGH QUALITY BODY PADS AVAILABLE TO SUIT:
 - » CATERPILLAR
 - » HITACHI
 - » KOMATSU
 - » TEREX
- » TESTED AND PROVEN TO BE EQUIVALENT TO OEM PARTS
- » NO MODIFICATION REQUIRED
- » MADE IN AUSTRALIA
- » PREMIUM GRADE RUBBER BONDED TO STEEL PLATES



TRAY SUPPORT BLOCKS

Timber chocks have been shown to fail catastrophically during simulated hydraulics tests. National Plastics Tray Support Blocks are the safer alternative for truck maintenance.

- » **TRAY SUPPORT BLOCKS ARE MADE FROM LOAD RATED MATERIAL**
- » **LIGHTER THAN EXISTING STEEL ALTERNATIVES**
- » **WILL NOT SPLINTER OR WARP LIKE TIMBER**
- » **RESISTANT TO MOST FUEL, OIL & CHEMICALS**



DON'T RISK IT!

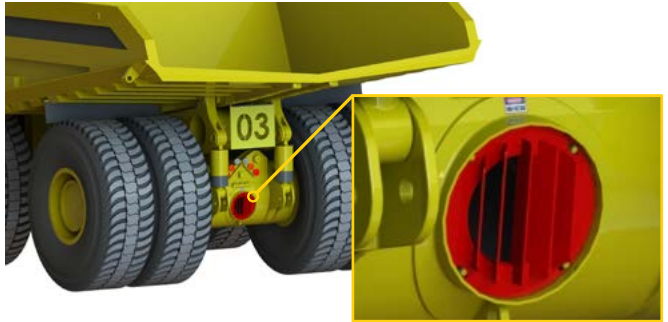


**TO SUIT KOMATSU 830 & 930
AND CATERPILLA 793**
PART NO. NPR05233-00

Customer to conduct their own risk assessment based on application.

LOUVERED VENT

- » FLEXIBLE & DURABLE DESIGN
- » IMPACT RESISTANT
- » LIGHTWEIGHT
- » COST EFFECTIVE
- » NON CORROSIVE



LOUVERED VENT

NPR06069 (LONG KIT)
NPR05448 (SHORT KIT)

Individual Components

Louvered Vent **NPR2077**
Vent Tube Long **NPR06069-10**
Vent Tube Short **NPR2206**

To Suit

Komatsu 930E Rear Axle Exhaust Housing



 16kg

REAR DIFF VENT

NPR2395

To Suit

Caterpillar 795 Rear Axle Exhaust Housing



 8kg

MATTCAP

THE INNOVATIVELY DESIGNED MATTCAP, A SAFETY AWARD WINNER FOR AN INTERNATIONAL MINING COMPANY.

The Mattcap has proven its benefits to the marketplace with its superior design.

- » 75% LIGHTER THAN THE STEEL ALTERNATIVE
- » FLEXIBLE BUT HOLDS ITS SHAPE
- » IMPACT RESISTANT
- » NON-CORROSIVE
- » EASY TO VIEW OIL LEVELS



MATTCAP TO SUIT KOMATSU 730E & 830E PART NO. NPR06035-00



Kit Includes

- 1 x Cap
- 3 x Sight Glasses
- 1 x Magnetic Plug
- 1 x Valve
- 1 x O Ring

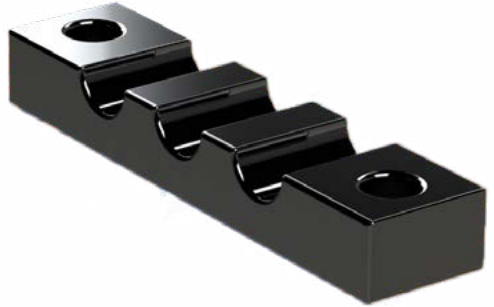
CABLE CLAMP SPLIT BLOCK

- » DURABLE POLYURETHANE
- » WON'T SPLIT UNDER TENSION
- » RESISTANT TO MOST CHEMICALS AND FUELS
- » LASTS LONGER THAN CONVENTIONAL TIMBER CLAMPS

TO SUIT KOMATSU 930-E

PART NO. NPR1923

- ▣ 210mm x 62mm x 50mm
with 3 x Ø29mm holes
& 2 x Ø19mm locating holes



TO SUIT KOMATSU 803E HAUL TRUCK

PART NO. NPR1983

- ▣ 210mm x 62mm x 50mm
c/w 2 x Ø28mm holes
& 1 x Ø33mm locating holes



TO SUIT KOMATSU 830E-AC

PART NO. NPR1984

- ▣ 210mm x 62mm x 51mm
c/w 3 x Ø25mm holes

TO SUIT KOMATSU 830E-AC

PART NO. NPR1985

- ▣ 210mm x 62mm x 51mm
c/w 3 x Ø20mm holes

AXLE DOOR IMPACT PADS

Don't lose machine availability from preventable causes. These cost effective pads help to eliminate differential pressure leakage caused from damaged axle doors and help prevent damage from rock impact.

» **AVAILABLE TO SUIT:**

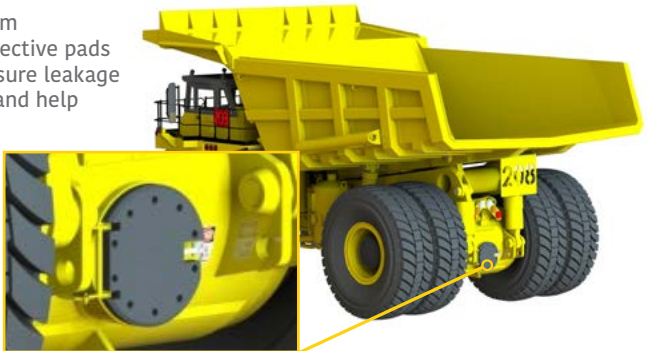
» **KOMATSU 830**

» **HITACHI**

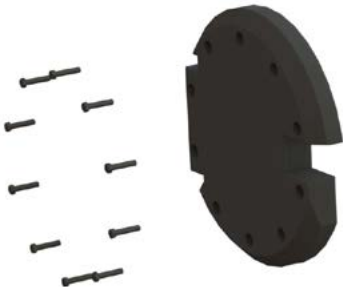
» **DURABLE**

» **FITS TO EXISTING OEM DOOR WITH ONLY SLIGHT MODIFICATIONS**

» **INTERNAL LOCATION PAD IN DIFF HOUSING PREVENTS DOORS FROM BEING LIFTED OFF THEIR HINGES**



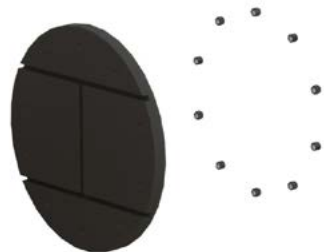
**AXLE DOOR
IMPACT PAD**



AXLE DOOR



**AXLE DOOR
INTERNAL LOCATION PAD**



PRODUCTS YOU CAN RELY ON!



ALL OUR PRODUCTS UNDERGO EXTENSIVE FIELD TESTING.

National Plastics & Rubber's commitment to our customers is to be the Best Industry Provider of polyurethane products to the global marketplace. Therefore, quality and reliability of our products is the concern and responsibility of every person in our organization.

As proof of our commitment to quality and to ensure our customers can depend on NPR products we conduct extensive field testing of all our products.

Our testing procedures push the limits far beyond what the customer will ever require from our products. Knowing our products can stand up to the harshest abuse lets us know you'll be able to rely on them.



NATIONAL PLASTICS & RUBBER

NATIONALPLASTICS.NET.AU

Email info@nationalplastics.net.au **Phone** +617 3279 3066

National Plastics & Rubber has the experience and knowledge necessary to meet your needs.

National Plastics & Rubber promotes safe working practices therefore, performing your own risk assessment is essential before using these products.

We specialise in polyurethane, rubber and industrial plastics design and manufacturing for the mining, automotive and manufacturing industries.